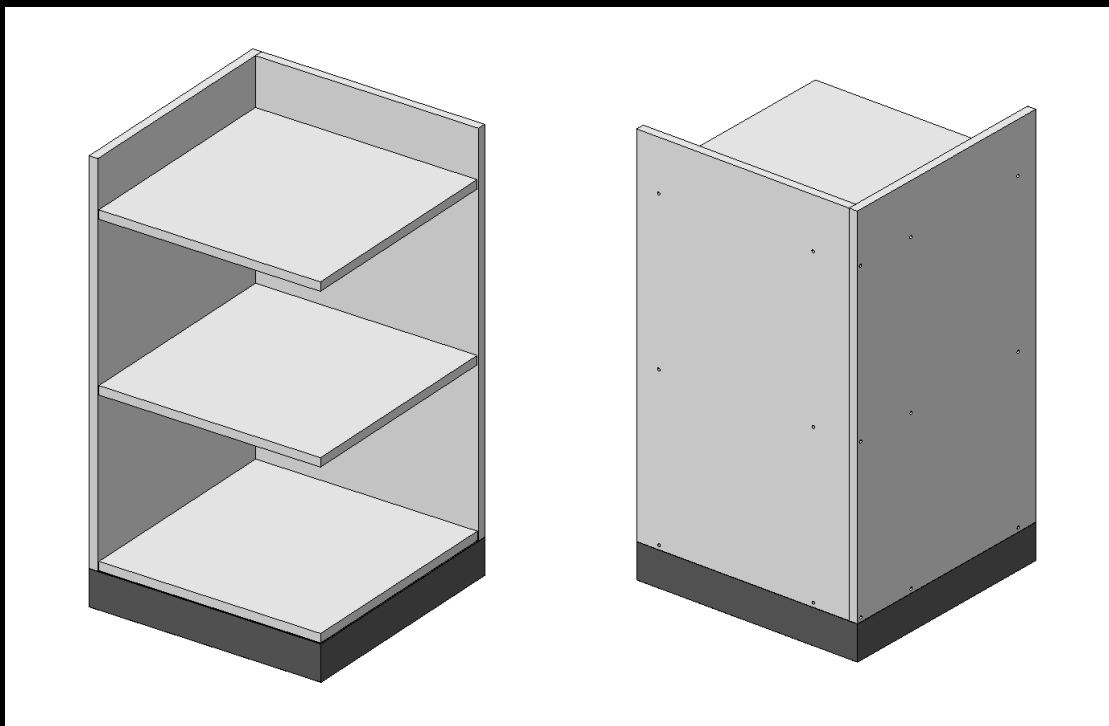


EASYS PIN FURNITURE CONSTRUCTION



EASYSPIN PLANNING EXAMPLES

- Basic dimensions
320mm x 320mm x 580mm
L x B x H (including fittings)
- Installation option
 - Wooden dowels (pre-positioning) 8x30
 - Screw connection (Direkta) + cover cap
 - Bore diameter 4mm
 - Length of bore 40mm

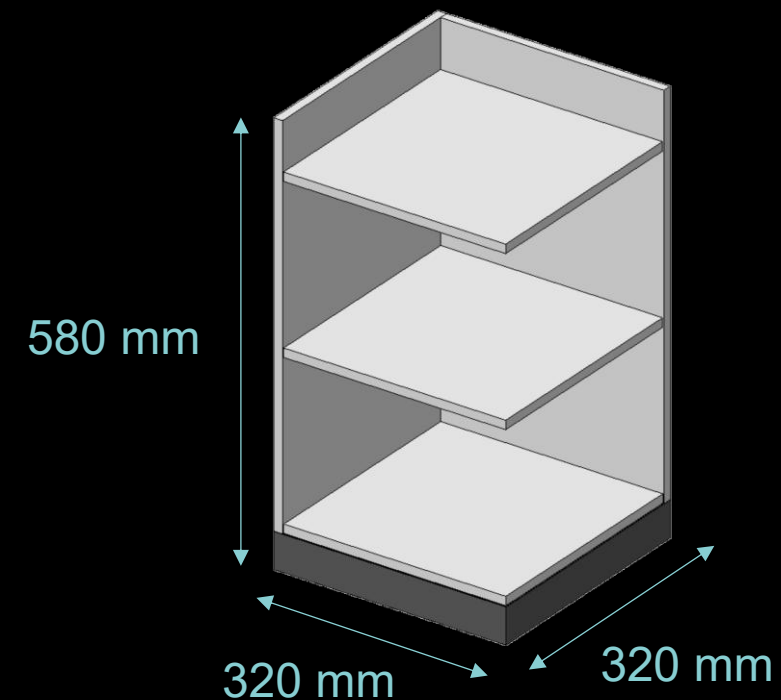
EASYSPIN PLANNING EXAMPLES

- Basic dimensions

320mm x 320mm x 580mm

L x B x H (including fittings)

Component dimensions:



furniture component	Cutting dimensions (L x B)	Material / Thickness (e.g.)
Side panel (1 pc.)	526 x 320	Multiplex / 12
Back panel (1 pc.)	526 x 308	Multiplex / 12
Shelves (2 pcs.)	306 x 306	Multiplex / 12
Base (1 pc.)	306 x 306	Multiplex / 12

Dimensions in mm

EASYSPIN PLANNING EXAMPLES

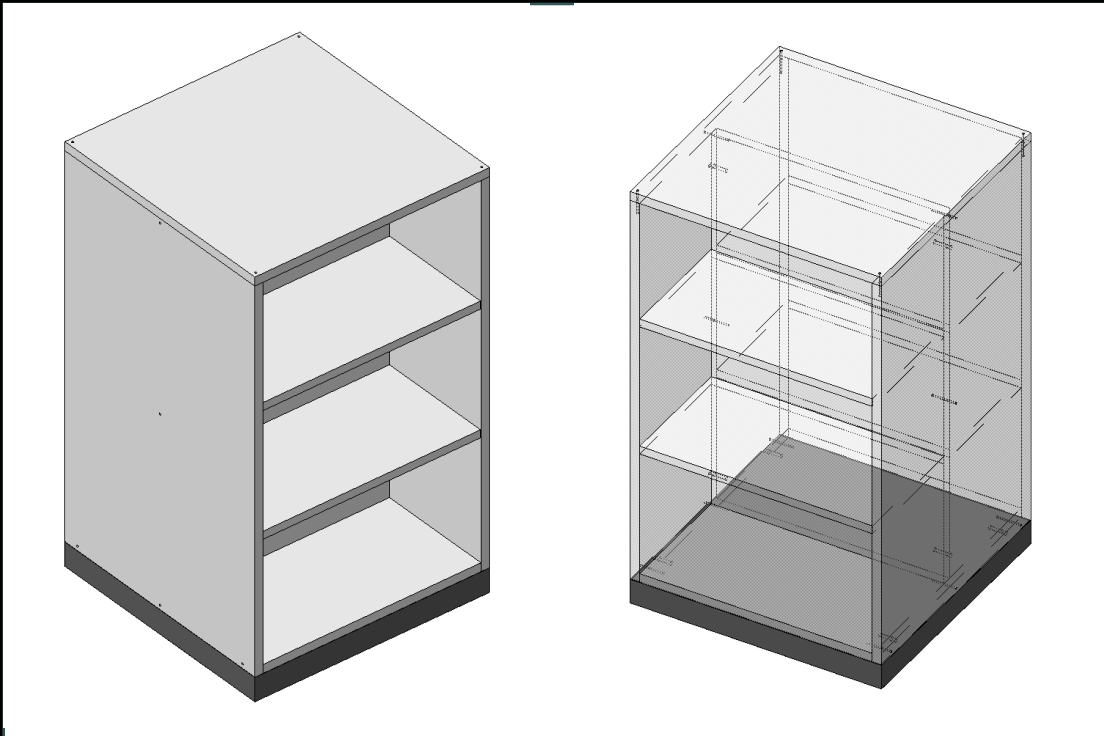
- Basic dimensions

490mm x 490mm x 850mm

L x B x H (including fittings)

- Installation option

- Wooden dowels (pre-positioning) 8x30
- Screw connection (Direkta) + cover cap
 - Bore diameter 4mm
 - Length of bore 40mm



EASYSPIN PLANNING EXAMPLES

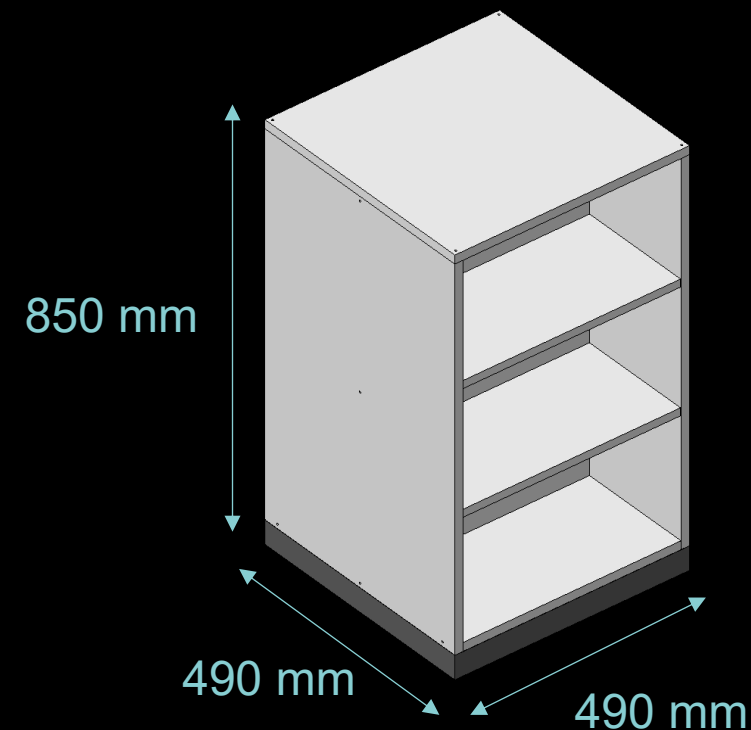
- Basic dimensions

490mm x 490mm x 850mm

L x B x H (including fittings)

Component dimensions:

furniture component	Cutting dimensions (L x B)	Material / Thickness (e.g.)
side panels (2 pcs.)	778 x 490	glued laminated timber panel / 18
Centre wall (1 pc.)	760 x 454	glued laminated timber panel / 18
Shelves (4 pcs.)	454 x 235	glued laminated timber panel / 18
Base (1 pc.)	490 x 454	glued laminated timber panel / 18
lid (1 pc.)	490 x 490	glued laminated timber panel / 18



Dimensions in mm